

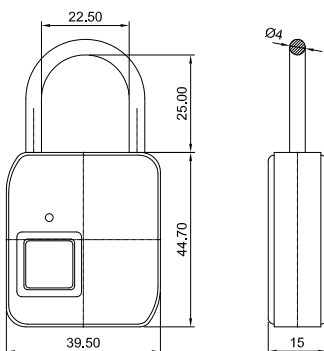
Cool Touch



FEATURES

- Opening / locking:**
- Touch opening padlock. Operates with user's fingerprint.
 - Instant opening in less than 1 second.
 - Ability to register fingerprints of up to 10 different users, enabled by the main user (administrator).
- Body:**
- Made of zinc alloy.
- Shackle:**
- Made of steel.
 - Diameter: 4mm.
- Other features:**
- Long battery life: 2,500 open and close cycles.
 - Ideal for lockers, suitcases, backpacks, etc. Very light weight: 85 gr.
 - Suitable for indoor and outdoor use. IP65 weather protection rating (non-submersible).
 - Use temperature between -10°C and 45°C.
 - Includes USB-C battery charger for ultra-fast charging.
- Packaging:**
- Box

DIMENSIONS



| Ref. | Cod. | IPL | Pack | Uni. |
|------------|--------|-----|------|------|
| Cool Touch | 000660 | 8 | | 10 |