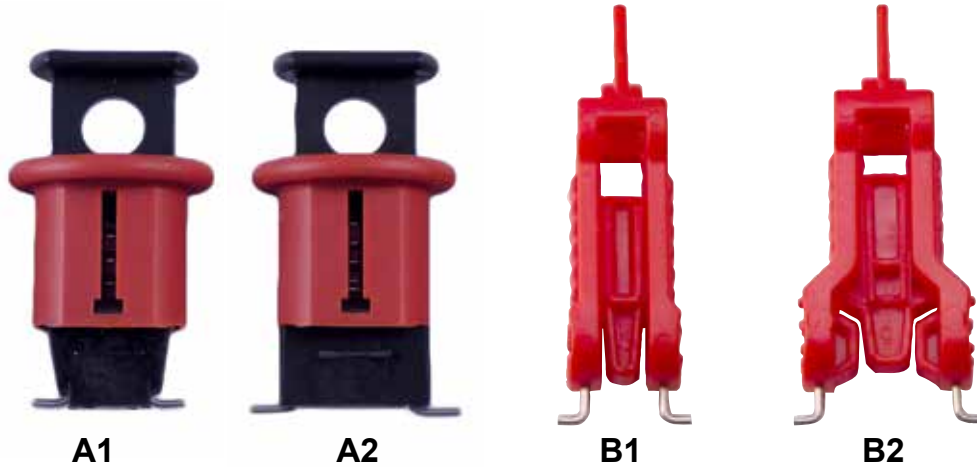


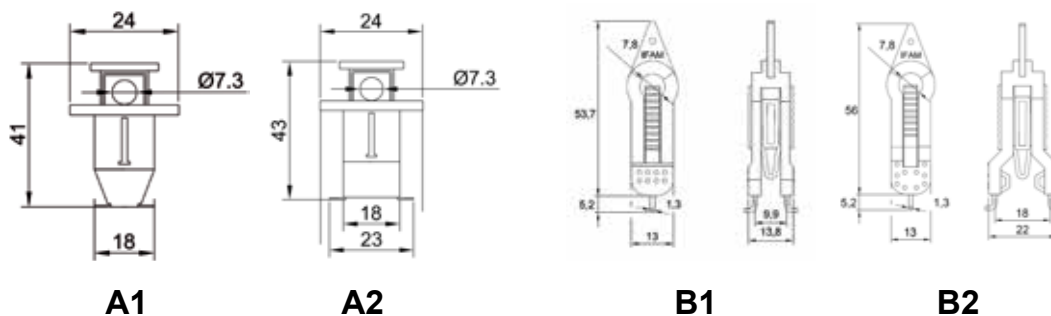
# Thermal Magnetic Circuit Breaker External Lockouts


**A1**
**A2**
**B1**
**B2**

## FEATURES

- Devices designed to lockout thermal-magnetic switches on a control panel.
- Made from nylon and 30% fibreglass for added resistance.
- Stainless steel bolts and screws.
- Resistant to chemical substances and extreme temperatures.
- Available for individual and multipolar switches.
- Adjustable with button or handle.  
No additional tools required.
- Lockable with a 6mm maximum shackle diameter padlock.

## DIMENSIONS


**A1**
**A2**
**B1**
**B2**