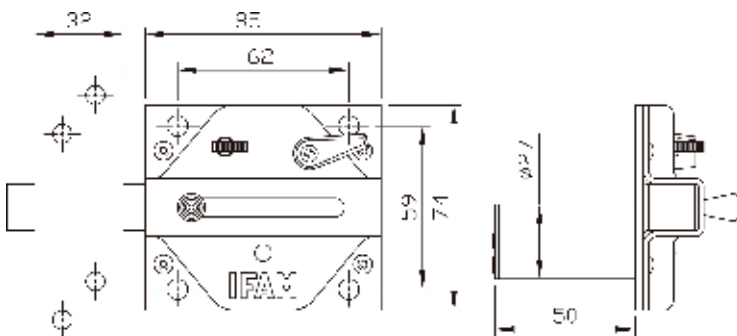




SERVICES

- Keying alike service
- Certain key number service
- Unique key solution

DIMENSIONS



FEATURES

- **Body:**
 - Made of steel.
- **Handle:**
 - Square, made of steel.
 - Thickness: 17 mm.
- **Opening / locking:**
 - Locking with 4 handle turns.
 - This rim lock is available with or without cylinder.
 - Suitable for left-hand or right-hand doors.
- **Keys:**
 - Security dimple keys.
 - Supplied with 5 keys.
 - Key compatible with: RX series, M series and M anti-snap series cylinders; Huno80 padlock and CS88LV rim lock.
- **Finish:**
 - Brass and nickel plated.
- **Packaging:**
 - Box packed.