



K Series

ART00365



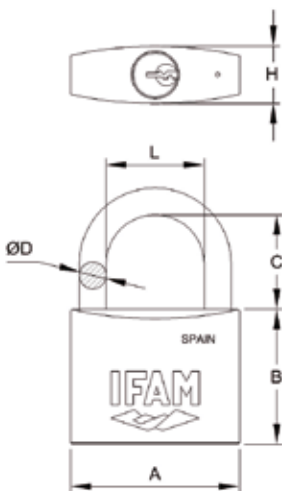
SERVICES

- Master keying service (from K40 to K70)
 - Keying alike service
 - Certain key number service
-
- Laser engraving service
 - Unique key solution

FEATURES

- **Body:**
 - Made of extruded brass.
- **Shackle:**
 - Made of carbon nitrate hardened and chrome plated steel..
 - Available in 4 shackle versions: normal, long, extra long and protected shackle.
- **Opening / locking:**
 - Automatic double locking system.
 - Cylinder with pick proof system.
 - AISI 316 stainless steel springs..
- **Keys:**
 - Standard key.
 - Supplied with 2 keys.
 - K50 padlock's key is compatible with: D Series cylinders; InoxPlus50, Inox50, Inox Cable, Max50, Armoured Series and U Series padlocks; B5/50 rim lock; CS125 and CS126 locks.
- **Packaging:**
 - Box and blister packed.

DIMENSIONS



NORMAL SHACKLE

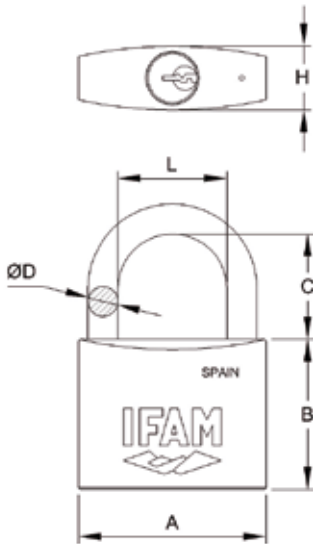
▶▶ CONTINUED ON NEXT PAGE

	K15	K20	K25	K30	K40	K50	K60	K70
A	17,5	21	25	25	40	50	60	70
B	17	21,5	22,5	22,5	32	40	46	50
C	11	13,5	17	17	22,5	27,5	33	41
D	3	3,5	4	4	6	8	9,5	11,2
L	8,2	10,5	13	13	23	29	35,5	40,5
H	8,2	10,5	11,5	11,5	14,5	16,5	19	21



COMING FROM PREVIOUS PAGE

DIMENSIONS



LONG SHACKLE

	K20AL	K25AL	K30AL	K40AL	K50AL	K60AL
A	21	25	30	40	50	60
B	21,5	22,5	27	32	40	45
C	23,5	25	32	43	49	51
D	3,5	4	5	6	8	9,5
L	10,5	13	15,5	23	29	35,5
H	10,5	11,5	13,5	14,5	16,5	19

EXTRA LONG SHACKLE

	K30AEL	K40AEL	K50AEL
A	30	40	50
B	27	32	40
C	50	65	80
D	5	6	8
L	15,5	23	29
H	13,5	14,5	16,5

PROTECTED SHACKLE

	K40AP	K50AP	K60AP
A	40	50	60
B	32	40	46
C	13,5	17	23
D	6	8	9,5
L	10	13	17
H	14,5	16,5	19