

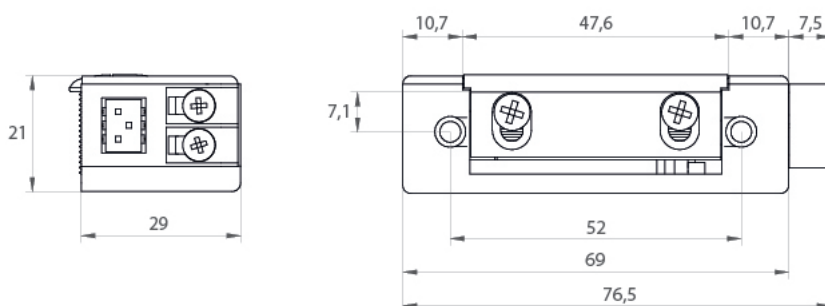
E-Strike A1



FEATURES

- Compact size. Width: 21 mm.
- Ideal for wood and ironwork doors.
- Symmetrical and reversible. Can be installed on left-handed or right-handed doors and on the inside or outside of the door.
- Adjustable latch.
- Voltage: 8-14V AC/DC
- Break-in resistance (keeper's pressure): 3500 N
- Dynamic strength (door impact): 4400 N
- Durability (cycles without preload): 200,000
- Product complies with EN 14846.
- Available functions: fail-secure, fail-secure with release lever, hold-open, hold-open with release lever, internal hold-open and internal hold-open with release lever.
- Available with or without faceplate. Short and long faceplates, finished in grey and stainless steel.

DIMENSIONS



E-Strike A1

REFERENCES

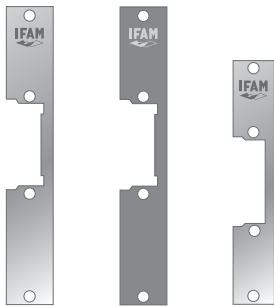
Ref.	Fail secure	Fail secure with release	Hold-open	Hold-open with release	Automatico interno	Automatico int. palanca	Face-plate	Face-plate finish	Ref.	Fail secure	Fail secure with release	Hold-open	Hold-open with release	Automatico interno	Automatico int. palanca	Face-plate	Face-plate finish
ESA1A1AN0000	X								ESA1D1ANB01S				X			S	■
ESA1B1AN0000		X							ESA1A1AND04G	X						L	■
ESA1C1AN0000			X						ESA1B1AND04G		X					L	■
ESA1D1AN0000				X					ESA1C1AND04G			X				L	■
ESA1A1ANB01G	X						S	■	ESA1D1AND04G				X			L	■
ESA1B1ANB01G		X					S	■	ESA1A1AND04S	X						L	■
ESA1C1ANB01G			X				S	■	ESA1B1AND04S		X					L	■
ESA1D1ANB01G				X			S	■	ESA1C1AND04S			X				L	■
ESA1A1ANB01S	X						S	■	ESA1D1AND04S				X			L	■
ESA1B1ANB01S		X					S	■	ESA1F1AN0000					X			
ESA1C1ANB01S			X				S	■	ESA1G1AN0000						X		

S: Short faceplate L: Long faceplate ■ Gray finish ■ Stainless steel finish

FACEPLATES

SHORT FACEPLATES

LONG FACEPLATES


B01
B02

D03
D04
D05
D06

Ref.	A	B	C	D	E	Face-plate	Finish
ES000000B01G	159	25	44			S	■
ES000000B01S	159	25	44			S	■
ES000000B02S	130	22	44,5			S	■
ES000000D04G	250	25	44	102	17	L	■
ES000000D04S	250	25	44	102	17	L	■
ES000000D03G	250	25	44	79	12	L	■
ES000000D03S	250	25	44	79	12	L	■
ES000000D05G	250	25	44	102	12	L	■
ES000000D05S	250	25	44	102	12	L	■
ES000000D06S	250	22	44,5	74	12	L	■

