

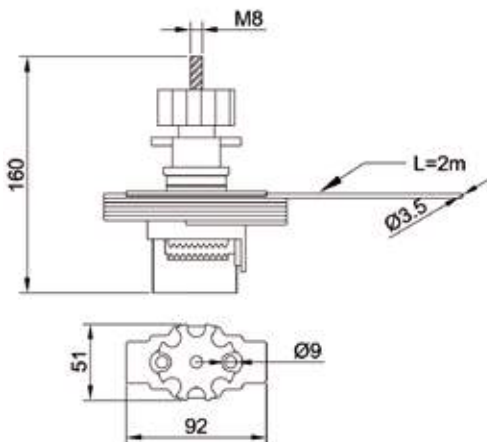


# Butterfly valve lockout

ART000791



## DIMENSIONS



## FEATURES

- Includes steel wire cable for locking more than one item at the same time. The 3 mm thick cable is covered in chemical agent resistant plastic. The copper top finish makes linking through gaps easy.
- Maximum security guaranteed thanks to steel teeth that secure the valve in the correct position and the rotating axis design that enables the device to be fully adjusted.
- Body made from high performance polyamide, an extremely impact and wear resistant material. It also has high insulation strength against extreme temperatures.
- Resistant to temperatures between -40°C and 180°C.
- They adapt to valve handle width up to 45mm and a maximum thickness of 25mm.
- Lockable with up to two 9 mm maximum shackle diameter padlocks.