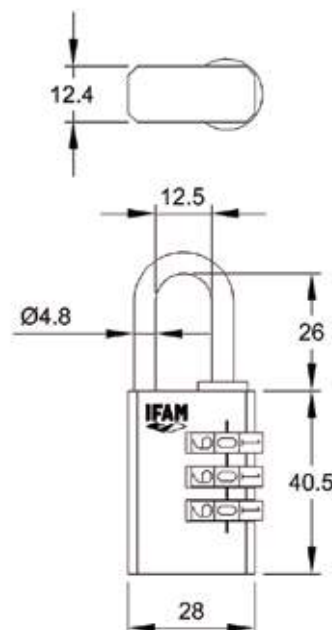




## FEATURES

- **Body:**
  - Made of solid zinc alloy, obtained through die-cast.
- **Shackle:**
  - Made of chromed steel.
  - Diameter: 4.8mm
- **Opening / locking:**
  - Through 10-digit 3 wheels.
  - 1.000 possible differs to choose.
- **Packaging:**
  - Blister packed.
  - Available in two colours: black and purple.

## DIMENSIONS



## SERVICES

- Laser engraving service