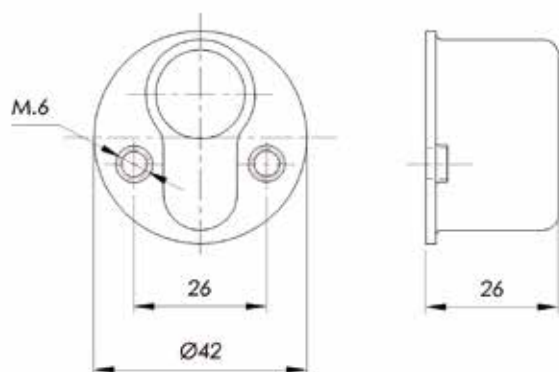




### DIMENSIONS



### FEATURES

- **Body:**
  - Made of steel.
  - Designed to be euro-profile cylinder adapter.
  - Installation with through or threaded bolts.
- **Finish:**
  - Black and chrome.
- **Packaging:**
  - Group box.