

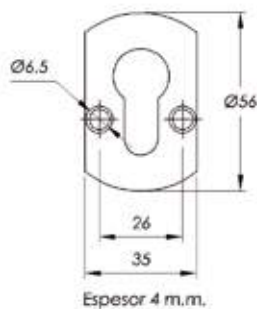
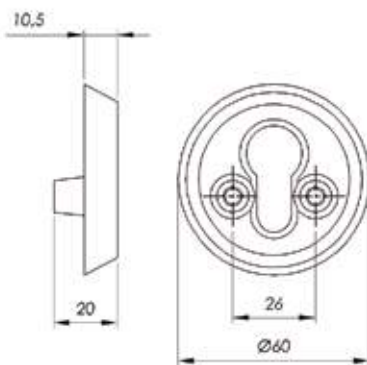


ES385

ART00663



DIMENSIONS



FEATURES

- Specially recommended for a lateral protection of the cylinders.
- Pull resistant design.
- Rust resistant treatment, which increases its resistance to corrosion.
- 4mm steel inner plate.
- Brass and nickel plated finish.