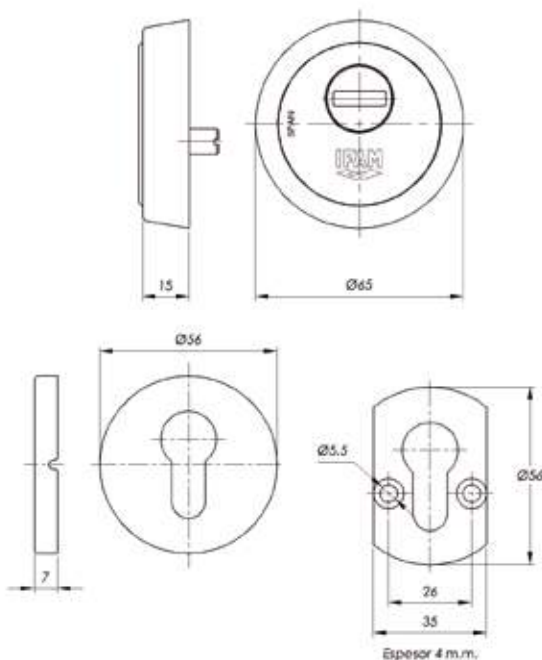




DIMENSIONS



FEATURES

- Solid thick heat treated steel core.
- Solid steel cover plate.
- Anti-extraction, drill resistant and pull resistant.
- Valid for doors with a minimum thickness of 35 mm.
- Easy assembly using size 6 and 10 drill bits.
No need to mechanise the door.
- Optional: backplate width 35.
- Brass and nickel finishes.
- Packaging: blister packed.
- Supplied with screws for its installation.