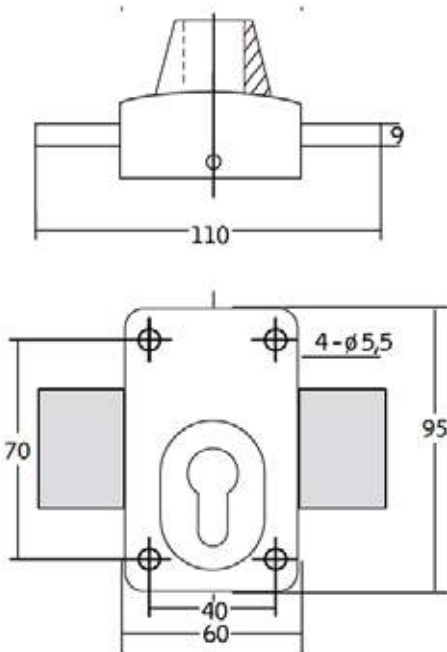




DIMENSIONS



FEATURES

Rim lock adaptable to any standard euro-profile cylinder

- **Body and strike:**
 - Made of steel.
- **Handle:**
 - Made of chromed steel.
 - Thickness: 9mm.
- **Opening / locking:**
 - Locking with 2 turns.
 - This rim lock does not include cylinder.
 - Available for left-hand and right-hand doors.
- **Finish:**
 - Brown or grey epoxy paint.
- **Packaging:**
 - Box packed.