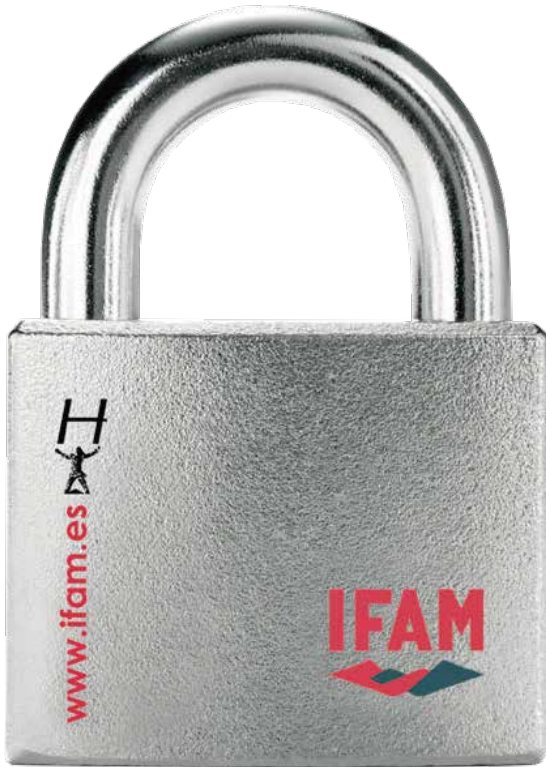




Hercules B

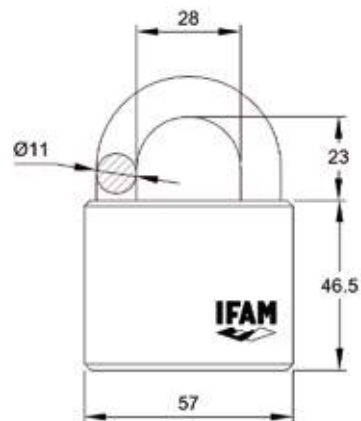
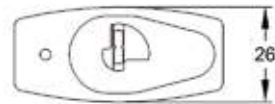
ART00344



FEATURES

- **Security level:**
 - Standard EN12320 Grade 4.
- **Body:**
 - Made of carbon nitrate plated steel with nickel rust resistant plating.
- **Shackle:**
 - Made of chrome-nickel-molybdenum alloy steel, hardened and chrome plated.
 - Diameter: 11mm.
- **Opening / locking:**
 - Double locking system using steel ball bearings.
 - Pick proof cylinder with drill resistant protection by means of two carbon nitrate and nickel plated escutcheons.
- **Keys:**
 - Security dimple key with millions of differs.
 - Supplied with 3 keys.
 - Key compatible with: Titan padlock; Top Giant chain and Traveller Mini Secure and Disk Giant 80 motorcycle brake disc locks.
- **Packaging:**
 - Blister packed.

DIMENSIONS



SERVICES

- Master keying service
 - Keying alike service
 - Certain key number service.
-
- Laser engraving service.